

# SKI-DOO KIT - Heated Seat

Part number (SKU) : 860202032

Product:	<b>Ski-Doo</b>
Project no:	<b>487803294</b>
Instruction Sheet P/N:	<b>487803294</b>
Revision no:	
Revision date:	
Item covered:	<b>Heated Seat</b>

The following symbols may be used in this document:

**⚠ WARNING**  
 Indicates a hazardous situation which, if not avoided, could result in death or serious injury.

**⚠ CAUTION:** Indicates a hazard situation which, if not avoided, could result in minor or moderate injury.

**NOTICE** Indicates an instruction which, if not followed, could severely damage vehicle components or other property.

**⚠ WARNING**

- For safety reasons, this kit must be installed by an authorized BRP dealer.
- This kit is designed for specific applicable models only (authorized BRP dealers will confirm model(s)). It is not recommended for units other than the one (those) for which it was sold.
- If the installation of the kit requires a template, ensure template is to scale.
- Should removal of a locking device (e.g. lock tabs, self-locking fasteners, etc.) be required when undergoing disassembly/ assembly, always replace with a new one.
- Torque wrench tightening specifications must strictly be adhered to.

**⚠ WARNING**

Some important safety information and/or operating instructions dedicated to the end user might be included in this instruction sheet. Make sure to give the kit part number as well as the instruction sheet included with this kit to the customer. Verify that the customer has access to all the information required for proper use of the accessory.

**NOTE:** USE TIGHTENING TORQUES IN THE FOLLOWING TABLE IF NOT OTHERWISE SPECIFIED.

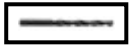
	GRADE			
	5.8	8.8	10.9	12.9
M4	1.8 ± 0.2 N•m (16 ± 2 lbf•in)	2.8 ± 0.2 N•m (25 ± 2 lbf•in)	3.8 ± 0.2 N•m (34 ± 2 lbf•in)	4.5 ± 0.5 N•m (40 ± 4 lbf•in)
M5	3.3 ± 0.2 N•m (29 ± 2 lbf•in)	5 ± 0.5 N•m (44 ± 4 lbf•in)	7.8 ± 0.7 N•m (69 ± 6 lbf•in)	9 ± 1 N•m (80 ± 9 lbf•in)

M6	7.5 ± 1 N•m (66 ± 9 lbf•in)	10 ± 2 N•m (89 ± 18 lbf•in)	12.8 ± 2.2 N•m (113 ± 19 lbf•in)	16 ± 2 N•m (142 ± 18 lbf•in)
M8	15.3 ± 1.7 N•m (135 ± 15 lbf•in)	24.5 ± 3.5 N•m (18 ± 3 lbf•ft)	31.5 ± 3.5 N•m (23 ± 3 lbf•ft)	40 ± 5 N•m (30 ± 4 lbf•ft)
M10	29 ± 3 N•m (21 ± 2 lbf•ft)	48 ± 6 N•m (35 ± 4 lbf•ft)	61 ± 9 N•m (45 ± 7 lbf•ft)	73 ± 7 N•m (54 ± 5 lbf•ft)
M12	52 ± 6 N•m (38 ± 4 lbf•ft)	85 ± 10 N•m (63 ± 7 lbf•ft)	105 ± 15 N•m (77 ± 11 lbf•ft)	128 ± 17 N•m (94 ± 13 lbf•ft)
M14	85 ± 10 N•m (63 ± 7 lbf•ft)	135 ± 15 N•m (100 ± 11 lbf•ft)	170 ± 20 N•m (125 ± 15 lbf•ft)	200 ± 25 N•m (148 ± 18 lbf•ft)
M16	126 ± 14 N•m (93 ± 10 lbf•ft)	205 ± 25 N•m (151 ± 18 lbf•ft)	255 ± 30 N•m (188 ± 22 lbf•ft)	305 ± 35 N•m (225 ± 26 lbf•ft)
M18	170 ± 20 N•m (125 ± 15 lbf•ft)	273 ± 32 N•m (201 ± 24 lbf•ft)	330 ± 25 N•m (243 ± 18 lbf•ft)	413 ± 47 N•m (305 ± 35 lbf•ft)

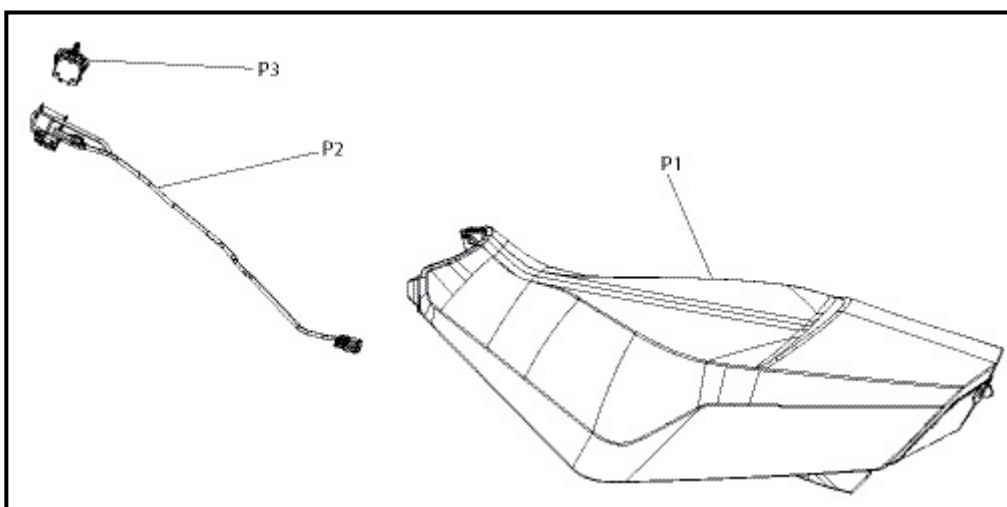
The illustrations in this document show typical construction of the different assemblies and may not reproduce the full detail or exact shape of the parts; however, they represent parts that have the same or similar function.

Installation time is approximately 0.5 hour.

## REQUIRED TOOLS

Required Tool		
T1	Drill Bit 6.5 mm (1/4 in)	

## PARTS TO BE INSTALLED



Item	Description	Part number	QTY
P1	Seat Assembly	Not available separately	1
P2	Wiring Harness	Not available separately	1

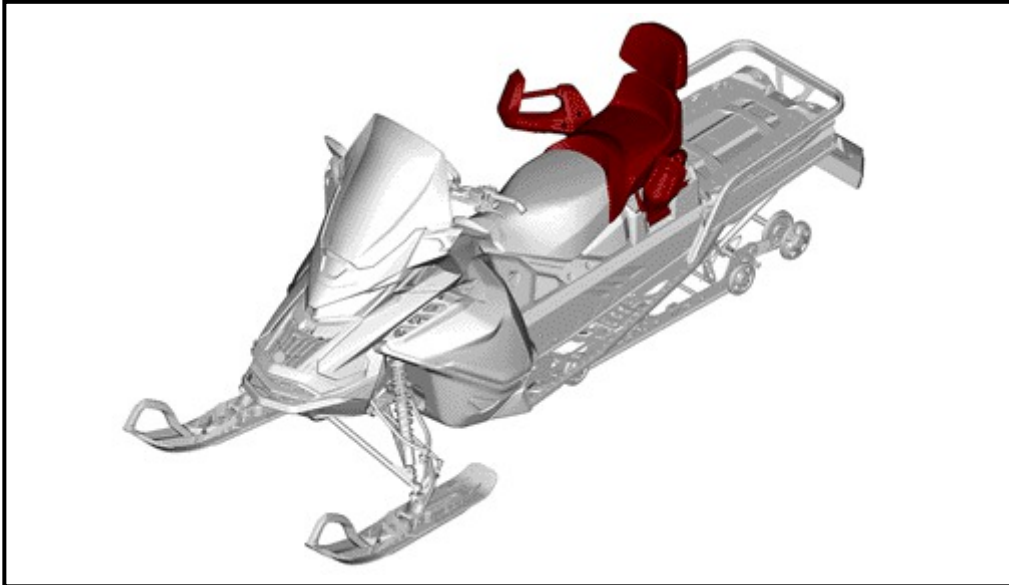
Item	Description	Part number	QTY
P3	Rocker Switch	515178502	1
P4	Locking Tie 180 mm (not shown)	414115200	2

# INSTRUCTIONS

## Vehicle Preparation

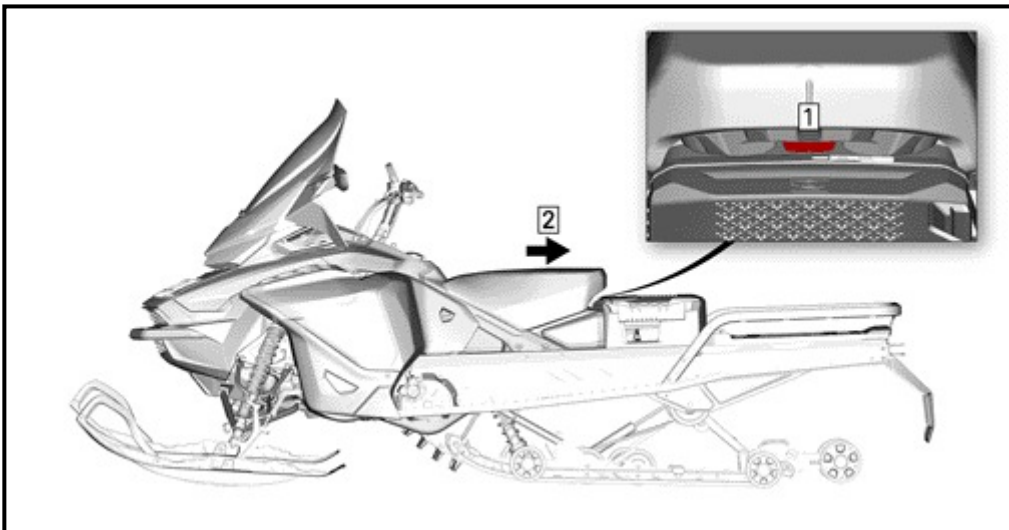
### *Models with Passenger Seat*

Remove passenger seat.

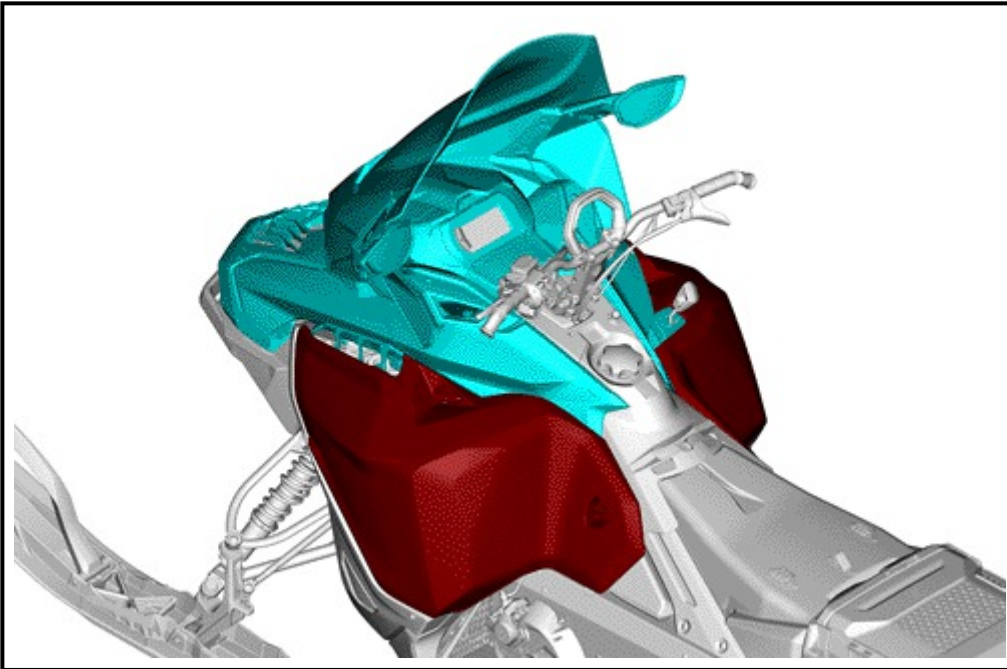


### *All Models*

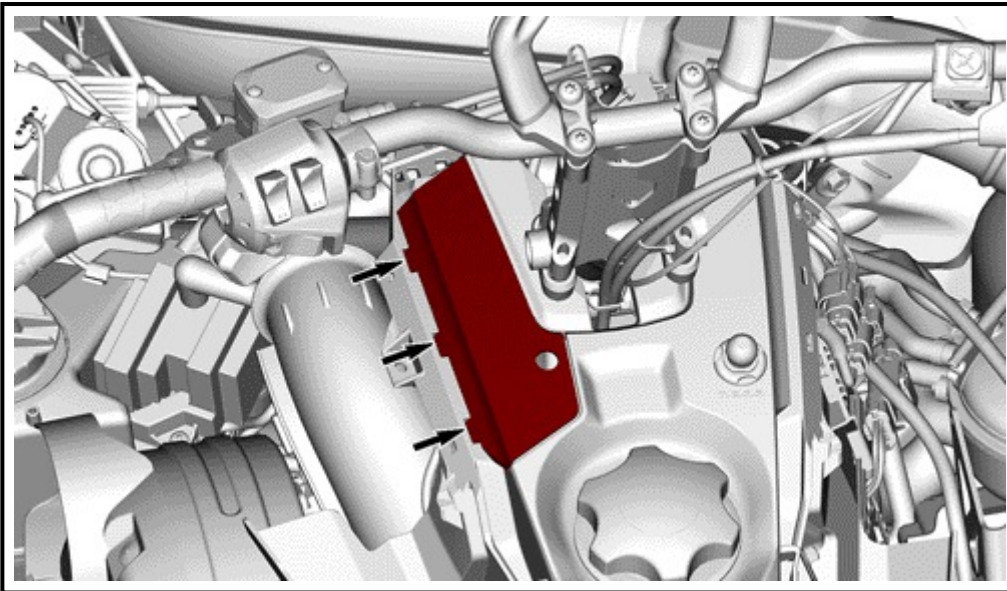
Remove driver seat by releasing the latch and sliding it toward the rear.



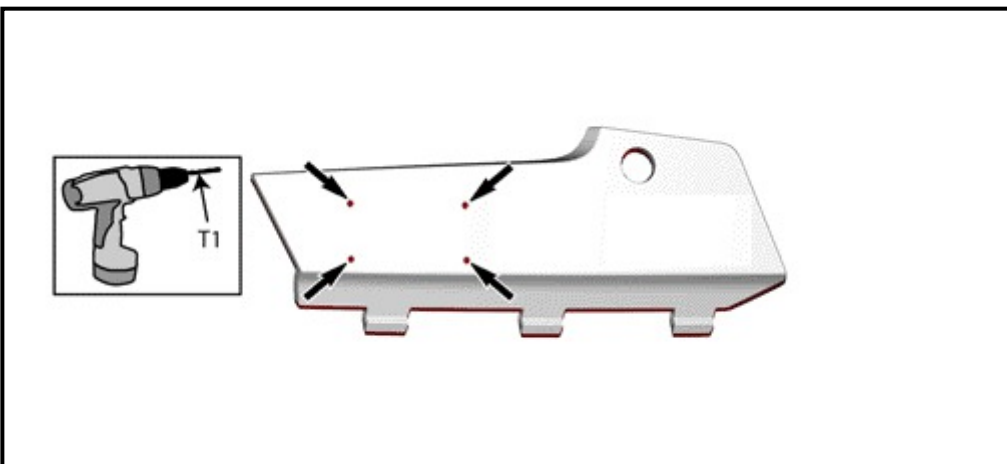
Remove side panels and upper body module. Refer to appropriate *SHOP MANUAL* for procedure.

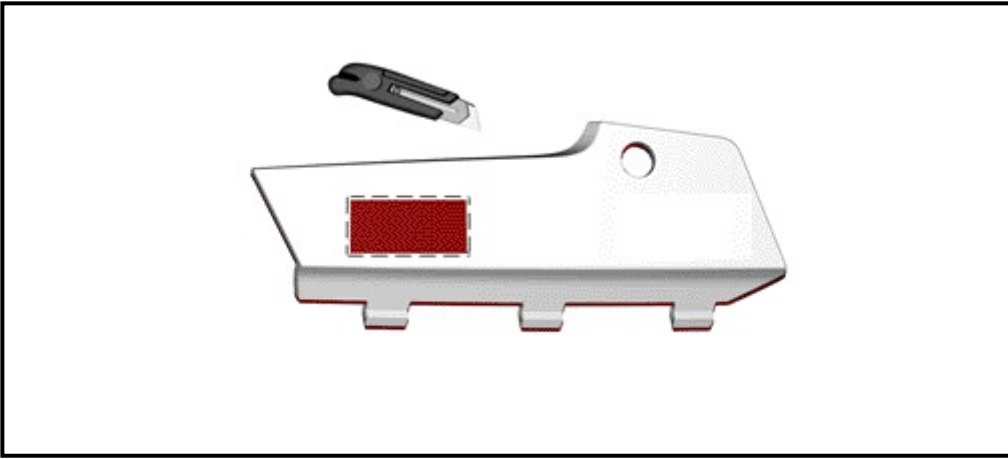


Remove console panel by pushing the 3 clips. Disconnect electrical connectors (if equipped)



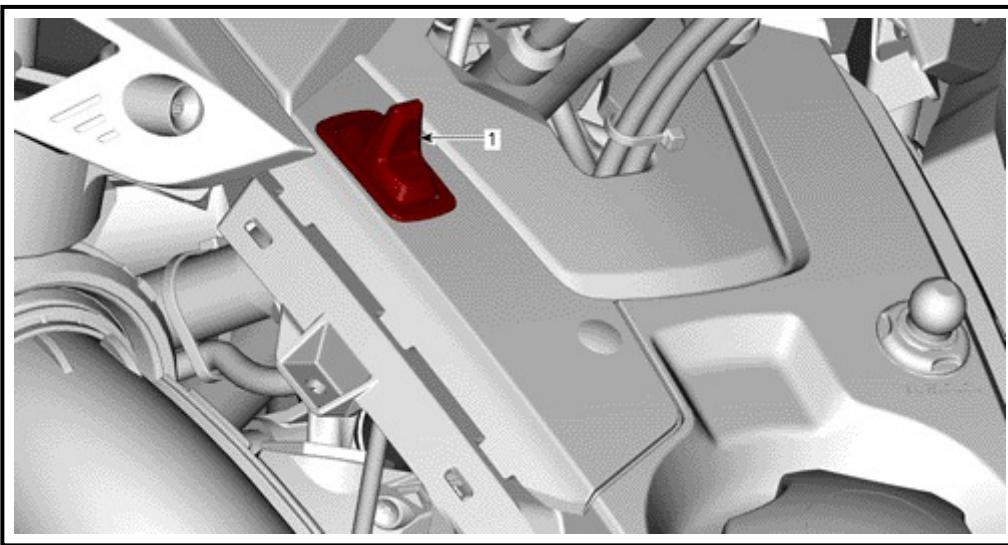
Locate rocker switch [P3] position. Uppermost Position is to be prioritized on all models.  
Drill corners with drill bit T1 and then cut tangent line between holes.





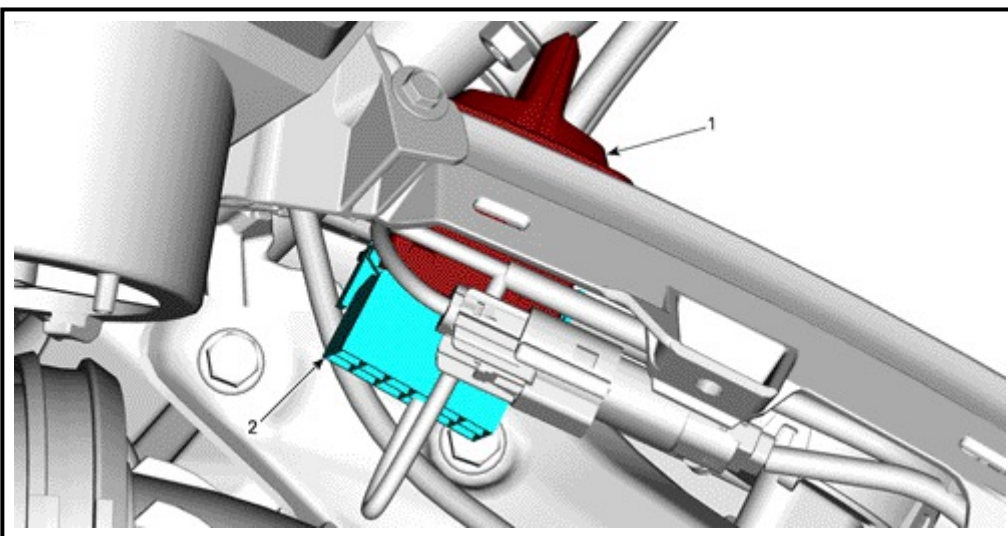
## Heated Seat Installation

Install console and rocker switch [P3] on LH console panel.



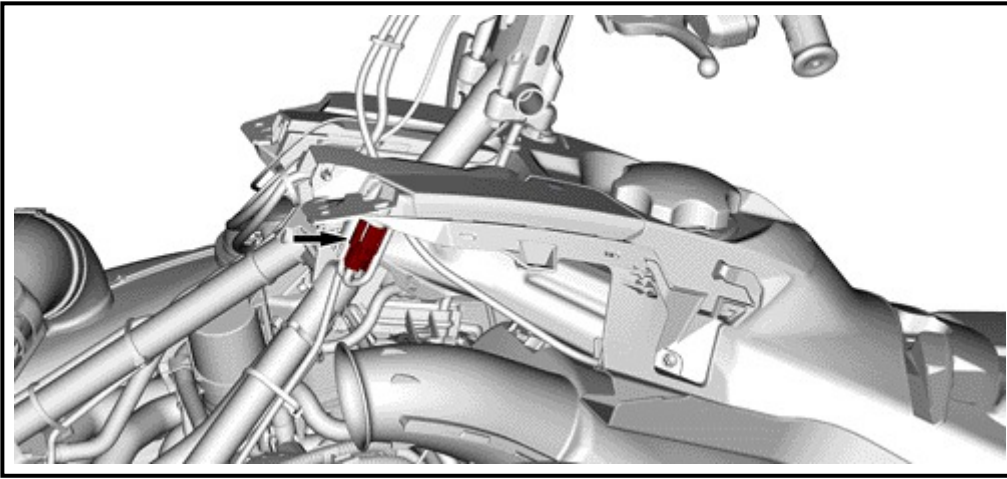
1. Rocker switch [P3]

Connect the harness [P2] to the rocker switch [P3].

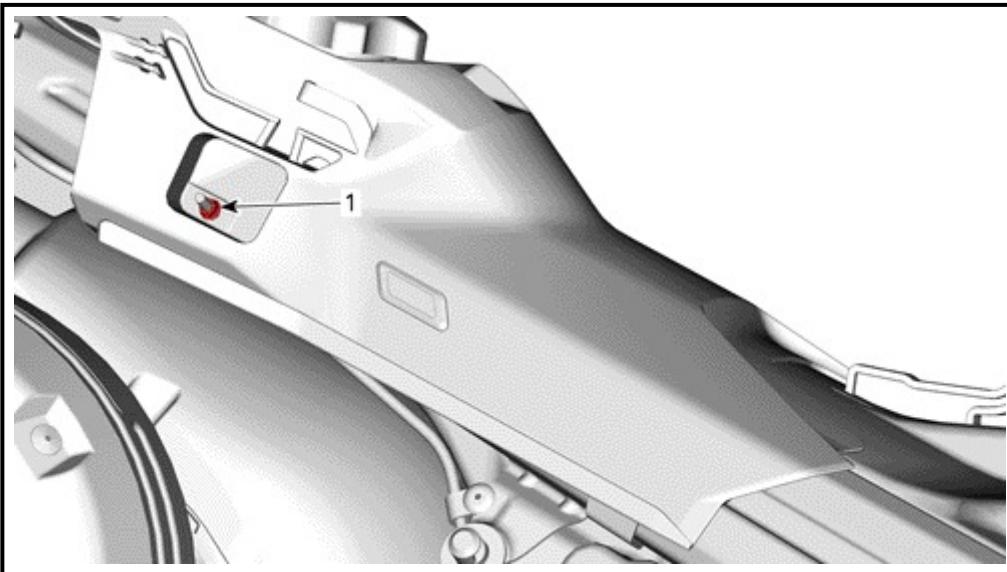


1. Rocker switch [P3]  
2. Harness [P2]

Locate and detach vehicle accessories connector attached to bottom surface of console.

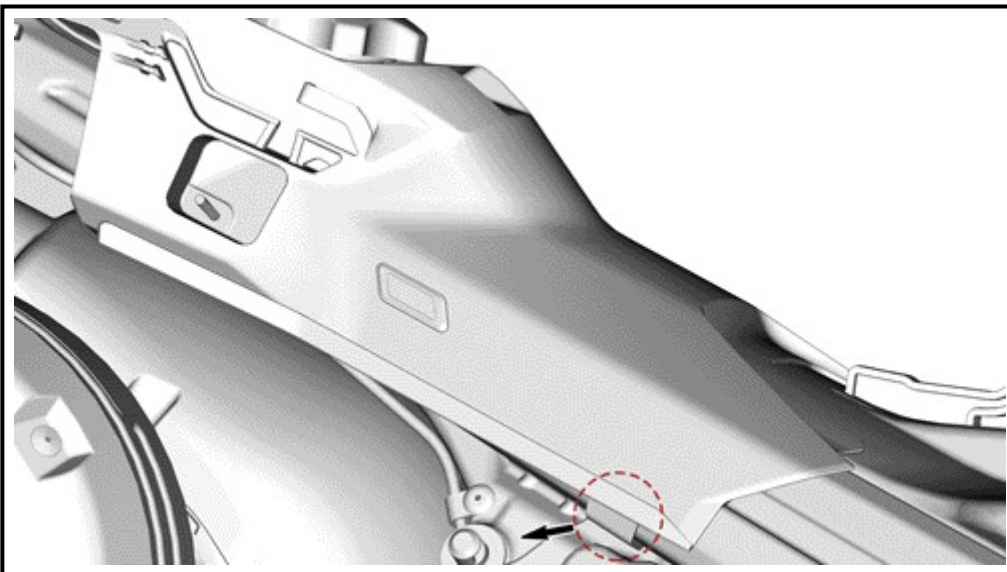


Connect harness [P2] to vehicle accessories connector.  
Remove and keep the console retaining nut.



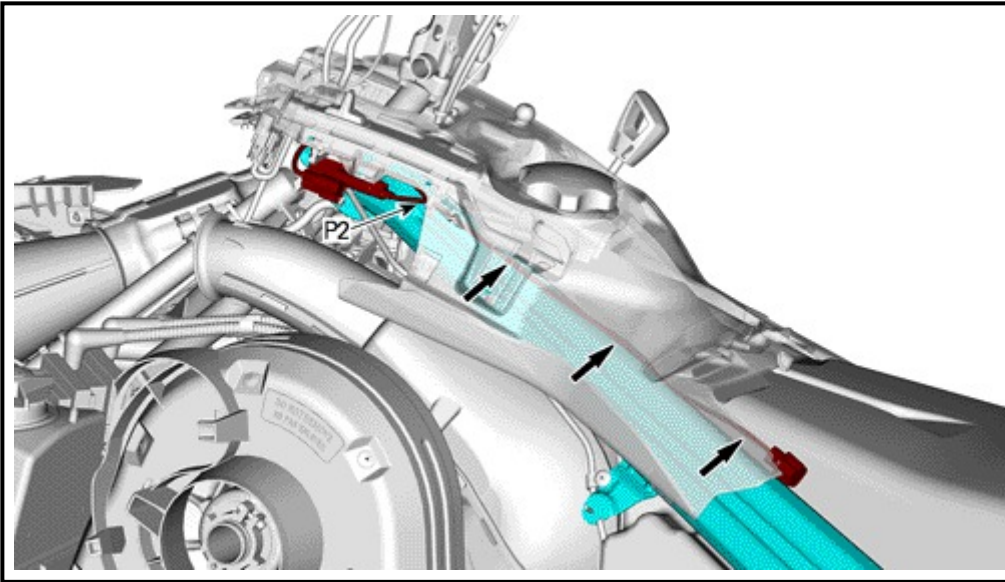
1. Console retaining nut

Pull to separate the console ears from the LH rear frame member. Remove console.



Route the harness [P2] above the LH rear frame member and under the console panel.

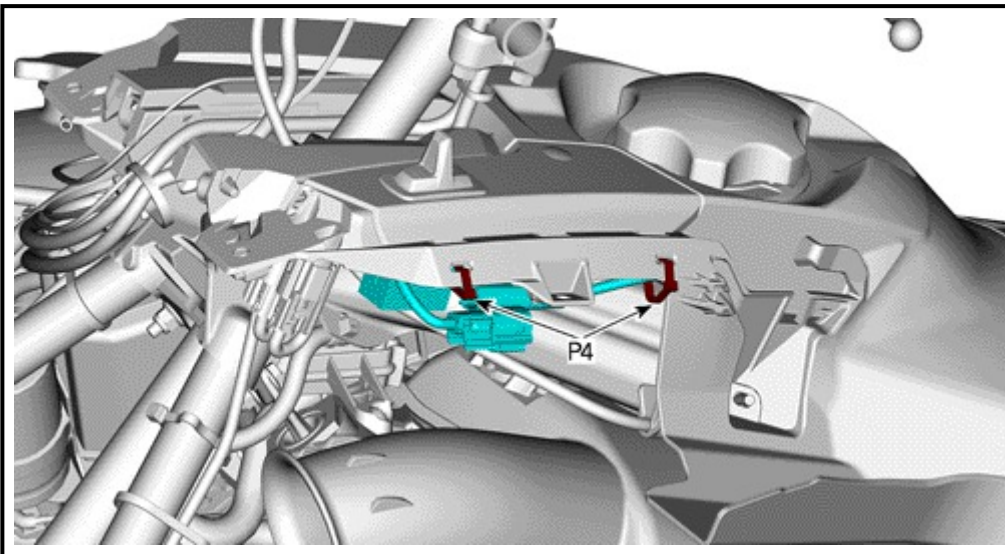
**NOTE:** Make sure that the connector exits above the LH rear frame member at the rear end of the console.



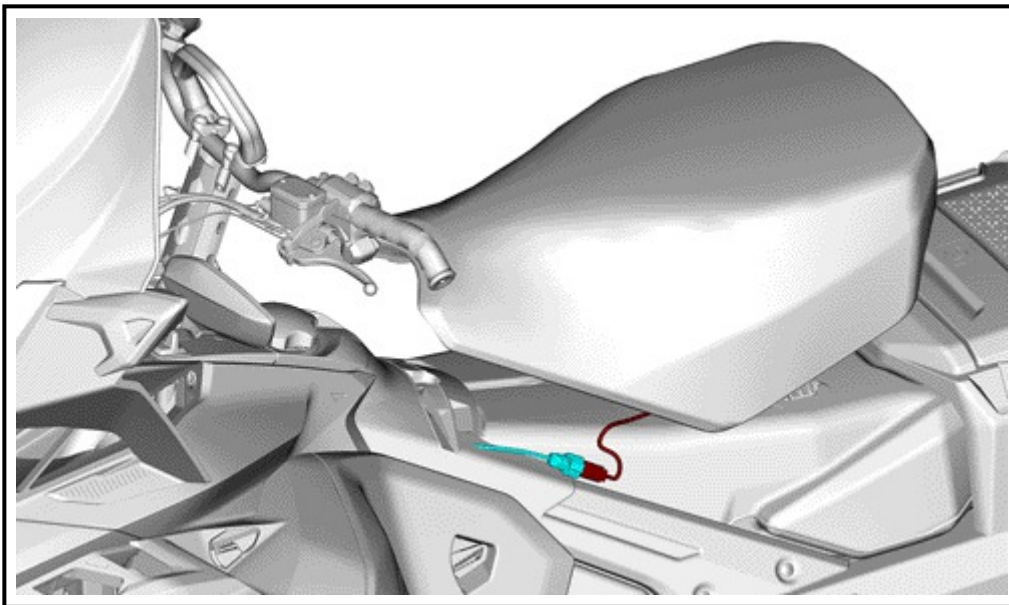
Reinstall the console retaining nut.

<b>tightening torque</b>	
M5 nut	2 to 2.5 N•m (18 to 22 lbf•in)

Secure with locking ties [P4]



Reinstall upper body module and side panels.  
Connect harness to seat.



Install seat by sliding it forward.

