

SKI-DOO KIT - Heated Seat

Part number (SKU) : 860201633,860201807

Product:	Ski-Doo
Project no:	487802650_rev1
Instruction Sheet P/N:	487802650
Revision no:	1
Revision date:	May 2019
Item covered:	Heated Seat

The following symbols may be used in this document:

WARNING

Indicates a hazardous situation which, if not avoided, could result in death or serious injury.

CAUTION: Indicates a hazard situation which, if not avoided, could result in minor or moderate injury.

NOTICE Indicates an instruction which, if not followed, could severely damage vehicle components or other property.

WARNING

- For safety reasons, this kit must be installed by an authorized BRP dealer.
- This kit is designed for specific applicable models only (authorized BRP dealers will confirm model(s)). It is not recommended for units other than the one (those) for which it was sold.
- If the installation of the kit requires a template, ensure template is to scale.
- Should removal of a locking device (e.g. lock tabs, self-locking fasteners, etc.) be required when undergoing disassembly/ assembly, always replace with a new one.
- Torque wrench tightening specifications must strictly be adhered to.

WARNING

Some important safety information and/or operating instructions dedicated to the end user might be included in this instruction sheet. Make sure to give the kit part number as well as the instruction sheet included with this kit to the customer. Verify that the customer has access to all the information required for proper use of the accessory.

NOTE: USE TIGHTENING TORQUES IN THE FOLLOWING TABLE IF NOT OTHERWISE SPECIFIED.

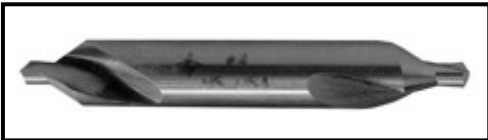
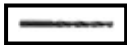
	GRADE			
	5.8	8.8	10.9	12.9
M4	1.8 ± 0.2 N•m (16 ± 2 lbf•in)	2.8 ± 0.2 N•m (25 ± 2 lbf•in)	3.8 ± 0.2 N•m (34 ± 2 lbf•in)	4.5 ± 0.5 N•m (40 ± 4 lbf•in)
M5	3.3 ± 0.2 N•m (29 ± 2 lbf•in)	5 ± 0.5 N•m (44 ± 4 lbf•in)	7.8 ± 0.7 N•m (69 ± 6 lbf•in)	9 ± 1 N•m (80 ± 9 lbf•in)

M6	7.5 ± 1 N•m (66 ± 9 lbf•in)	10 ± 2 N•m (89 ± 18 lbf•in)	12.8 ± 2.2 N•m (113 ± 19 lbf•in)	16 ± 2 N•m (142 ± 18 lbf•in)
M8	15.3 ± 1.7 N•m (135 ± 15 lbf•in)	24.5 ± 3.5 N•m (18 ± 3 lbf•ft)	31.5 ± 3.5 N•m (23 ± 3 lbf•ft)	40 ± 5 N•m (30 ± 4 lbf•ft)
M10	29 ± 3 N•m (21 ± 2 lbf•ft)	48 ± 6 N•m (35 ± 4 lbf•ft)	61 ± 9 N•m (45 ± 7 lbf•ft)	73 ± 7 N•m (54 ± 5 lbf•ft)
M12	52 ± 6 N•m (38 ± 4 lbf•ft)	85 ± 10 N•m (63 ± 7 lbf•ft)	105 ± 15 N•m (77 ± 11 lbf•ft)	128 ± 17 N•m (94 ± 13 lbf•ft)
M14	85 ± 10 N•m (63 ± 7 lbf•ft)	135 ± 15 N•m (100 ± 11 lbf•ft)	170 ± 20 N•m (125 ± 15 lbf•ft)	200 ± 25 N•m (148 ± 18 lbf•ft)
M16	126 ± 14 N•m (93 ± 10 lbf•ft)	205 ± 25 N•m (151 ± 18 lbf•ft)	255 ± 30 N•m (188 ± 22 lbf•ft)	305 ± 35 N•m (225 ± 26 lbf•ft)
M18	170 ± 20 N•m (125 ± 15 lbf•ft)	273 ± 32 N•m (201 ± 24 lbf•ft)	330 ± 25 N•m (243 ± 18 lbf•ft)	413 ± 47 N•m (305 ± 35 lbf•ft)

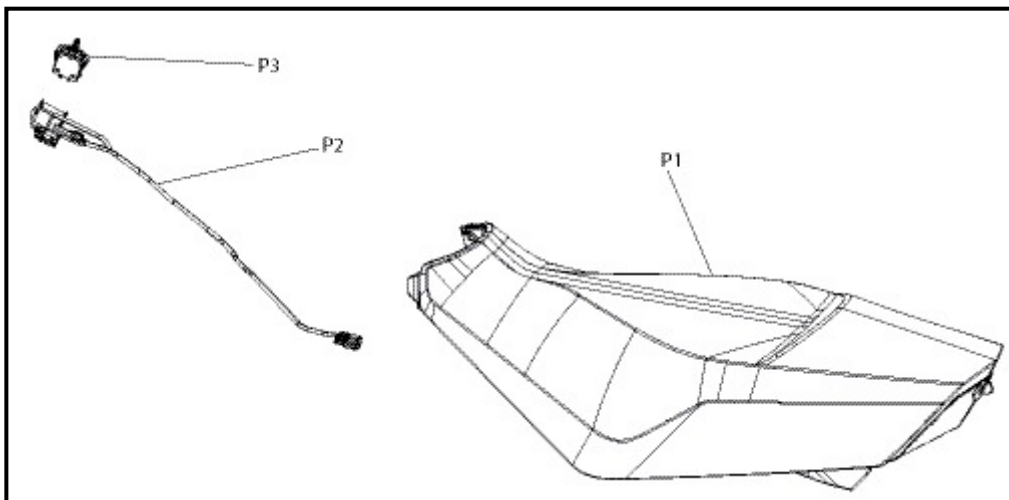
The illustrations in this document show typical construction of the different assemblies and may not reproduce the full detail or exact shape of the parts; however, they represent parts that have the same or similar function.

Installation time is approximately 0.5 hour.

REQUIRED TOOLS

Required Tools		
T1	Center Drill	
T2	Drill Bit 6.5 mm (1/4 in)	

PARTS TO BE INSTALLED



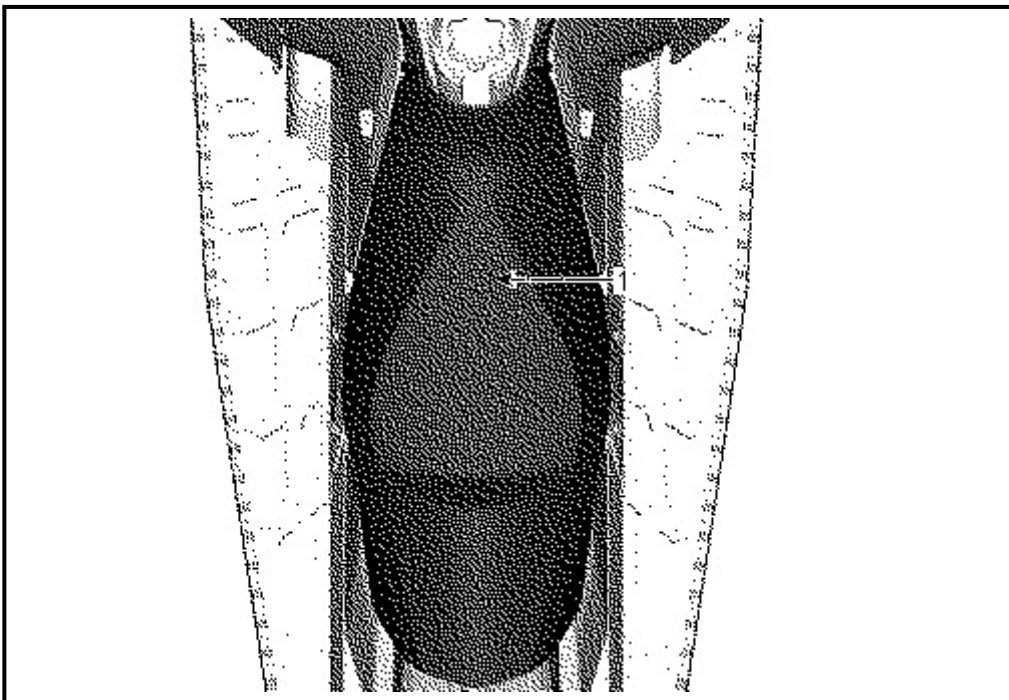
Item	Description	Part number	QTY
P1	Seat Assy	Not available separately	1
P2	Harness	Not available separately	1
P3	Rocker Switch	515178502	1
P4	Locking Tie 180 mm (Not Shown)	414115200	2

INSTRUCTIONS

Remove the seat

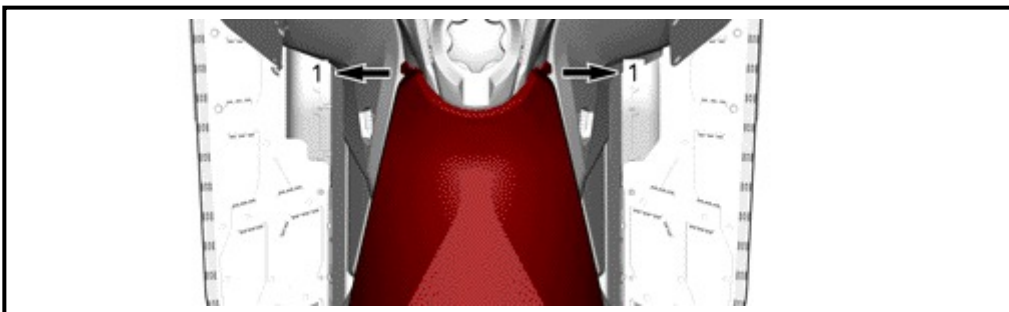
Seats with ear

Position your knee at the center of the seat to pull the ear.

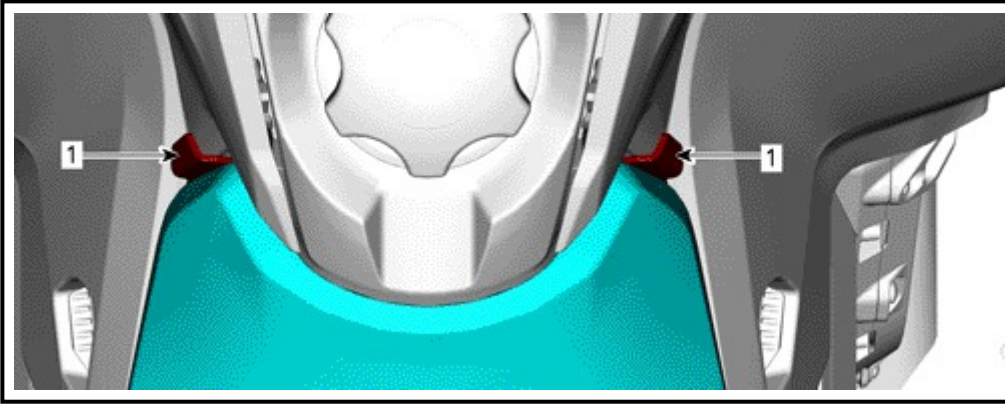


1. Position your knee at this location.

While pushing in the center of the seat towards front, pull the seat latches on both sides, to unlock.

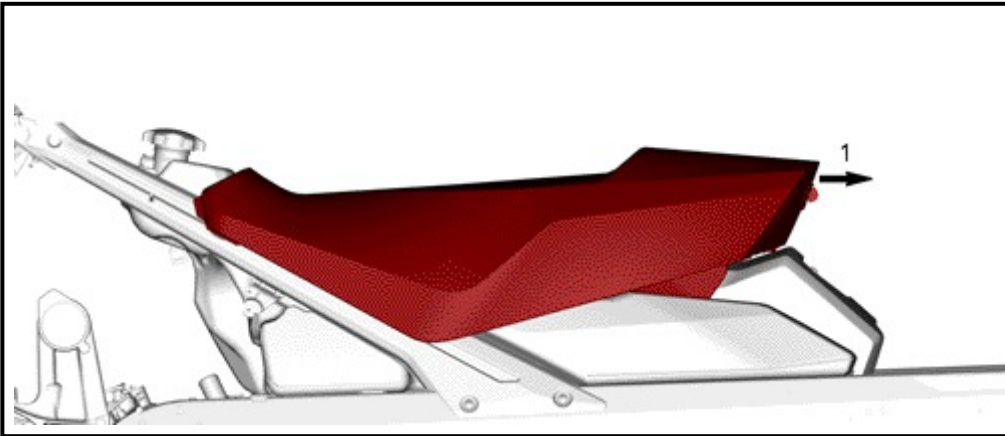


1. Pull



1. Seat latches

Slide the seat to the back.



1. Slide

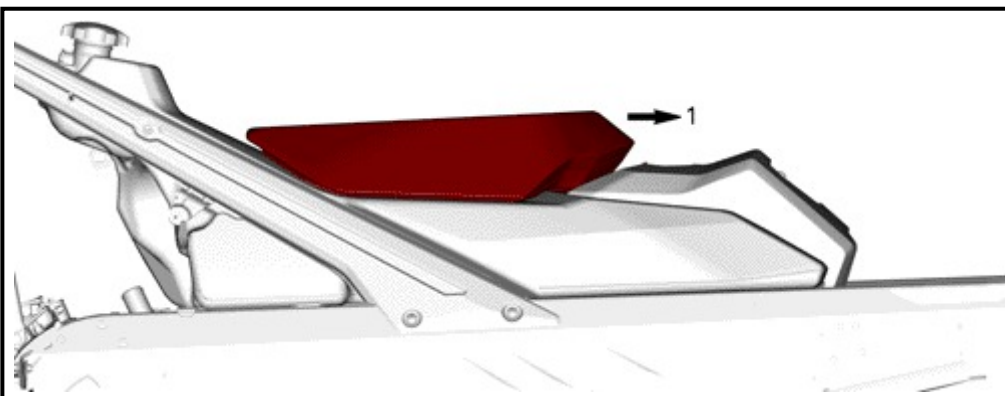
Earless seat

Roll up the front of the foam. While pushing seat forward, pull up the latch.



1. Seat latch

Slide seat rearwards while holding the seat latch to remove it.



1. Slide

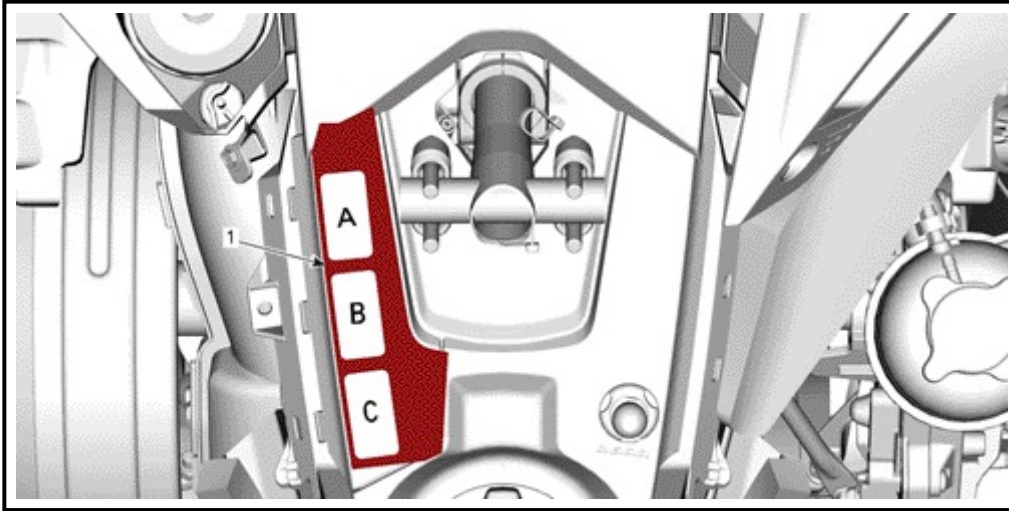
Install heated seat

Remove upper body module, see shop manual procedures.

Locate rocker switch [P3] position with template. Position A is to be prioritized on all models except *SUMMIT*.

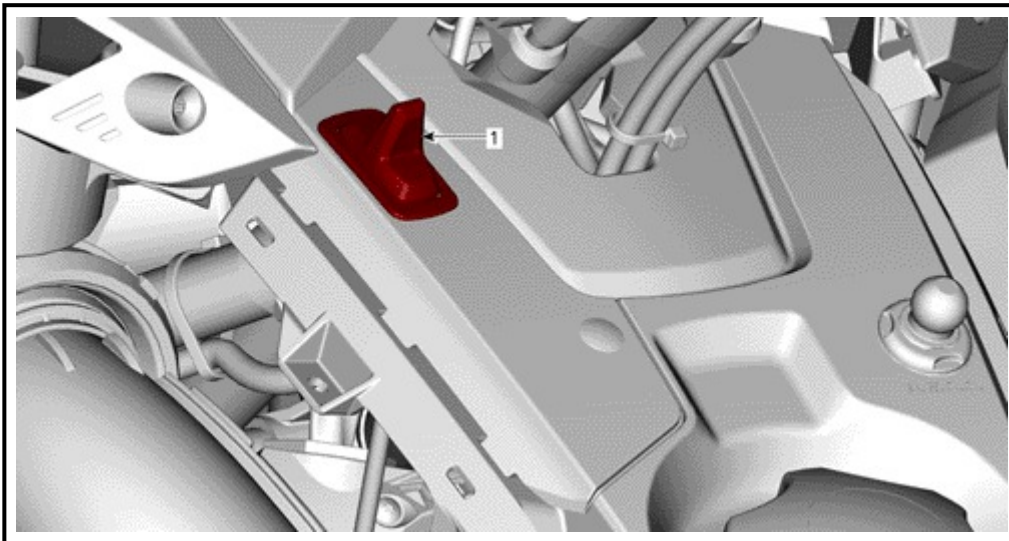
Mark corners with center drill [T1].

Drill corners with drill bit [T2] and then cut tangent line between holes.



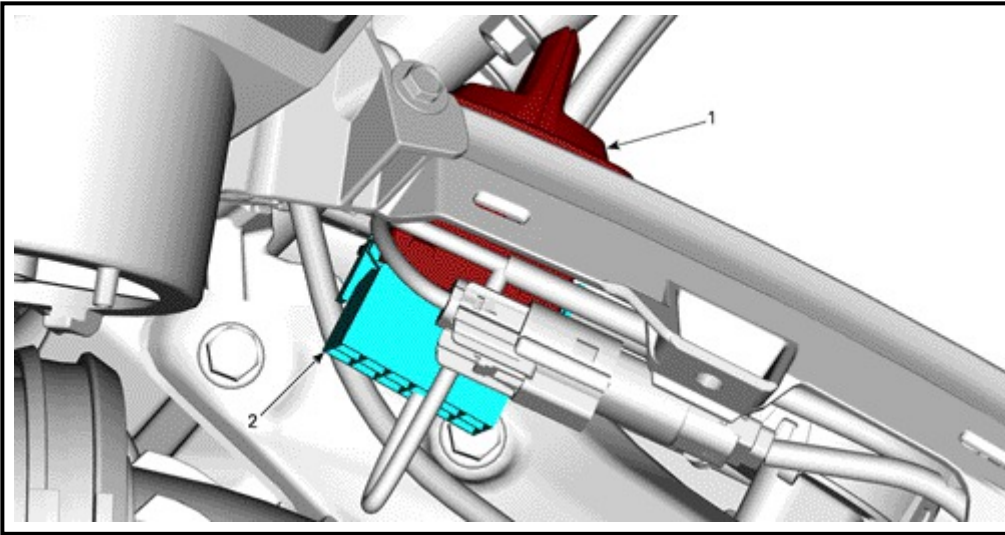
1. Template

Install rocker switch [P3] on LH console panel.



1. Rocker switch [P3]

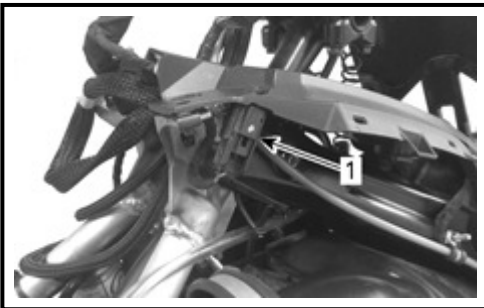
Connect the harness block [P2] with rocker switch [P3].



1. Rocker switch [P3]

2. Harness block [P2]

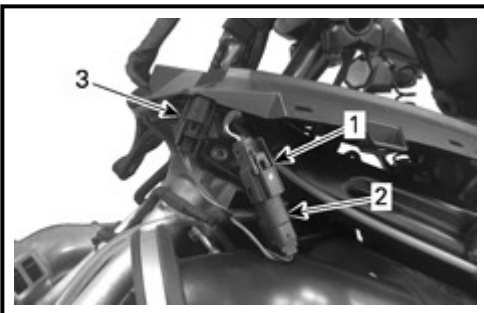
Locate and detach vehicle accessories connector attached to bottom surface of console.



1. Vehicle Accessories Connector

Connect harness [P2] to vehicle accessories connector.

The free connector on heated seat harness [P2] can be used to plug-in another accessory. If unused, connect it under the console.

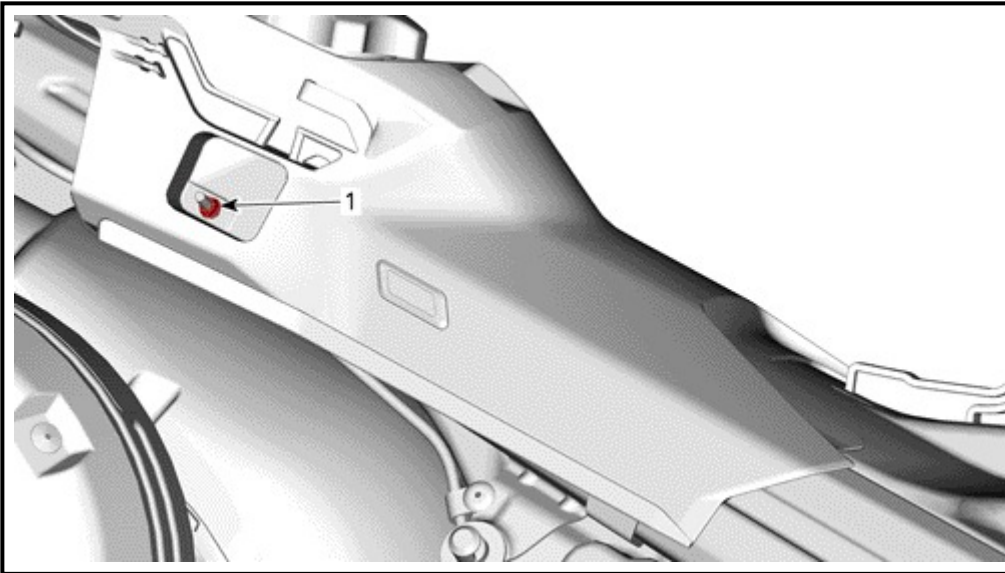


1. Vehicle Accessories Connector

2. Connect harness

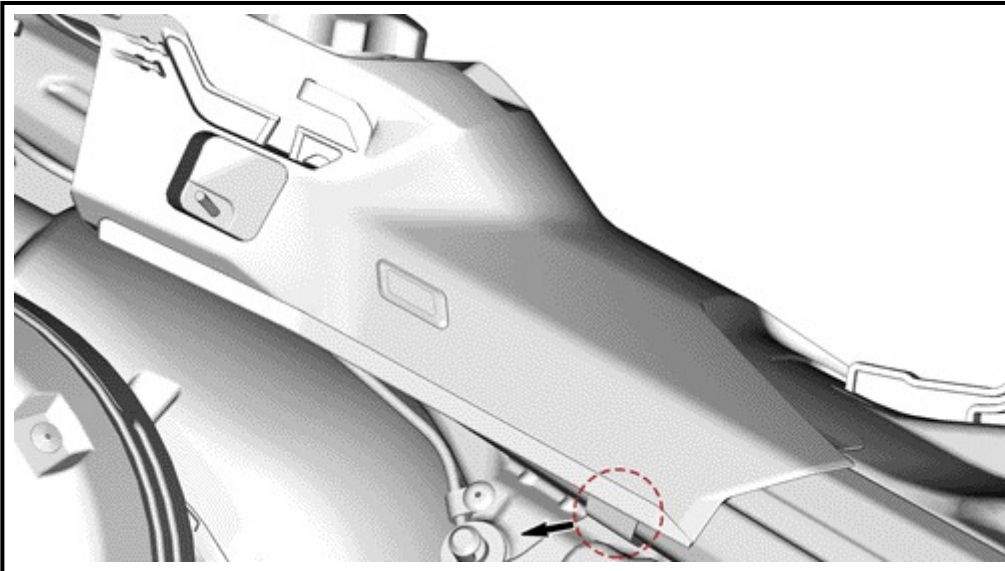
3. Free connector on heated seat harness [P2]

Remove the console supporting nut.



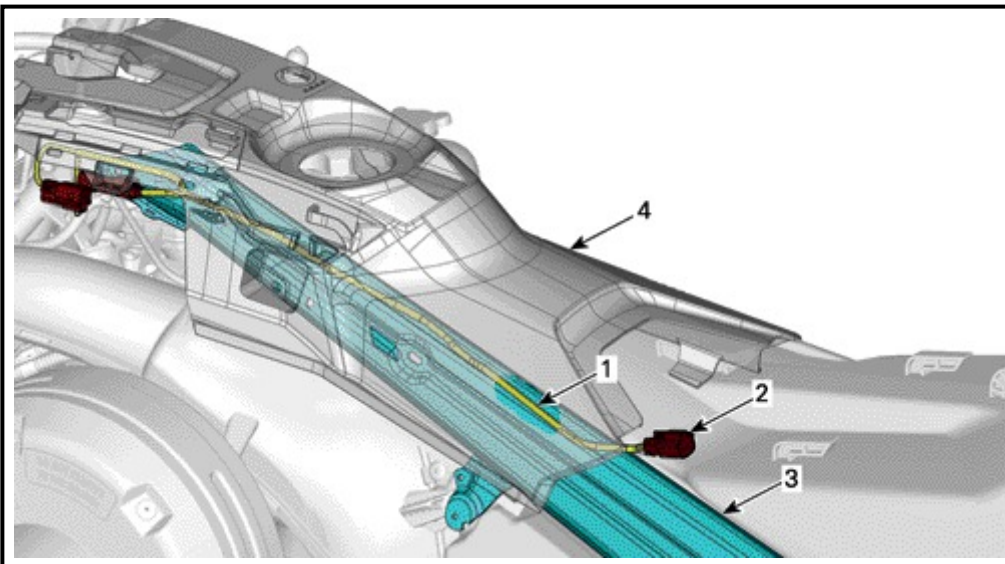
1. Console supporting nut

Pull to the dissociate the console ears from the A frame.



Route the harness [P2] above the A frame and under the console panel.

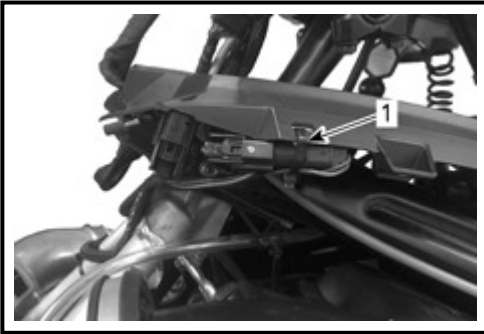
NOTE: Make sure that the connector exits above the A frame at the rear end of the console.



1. Harness [P2]
2. Connector

3. A frame
4. Console

Reinstall the console supporting nut.
Secure with locking ties [P4]



1. Locking Tie [P4]

Reinstall upper body module, see shop manual procedures.

NOTE: Depending on the vehicle model, pay attention to the following details.

REV gen4 (narrow) with electric starter.

Battery cover (P/N 511001210) is needed.

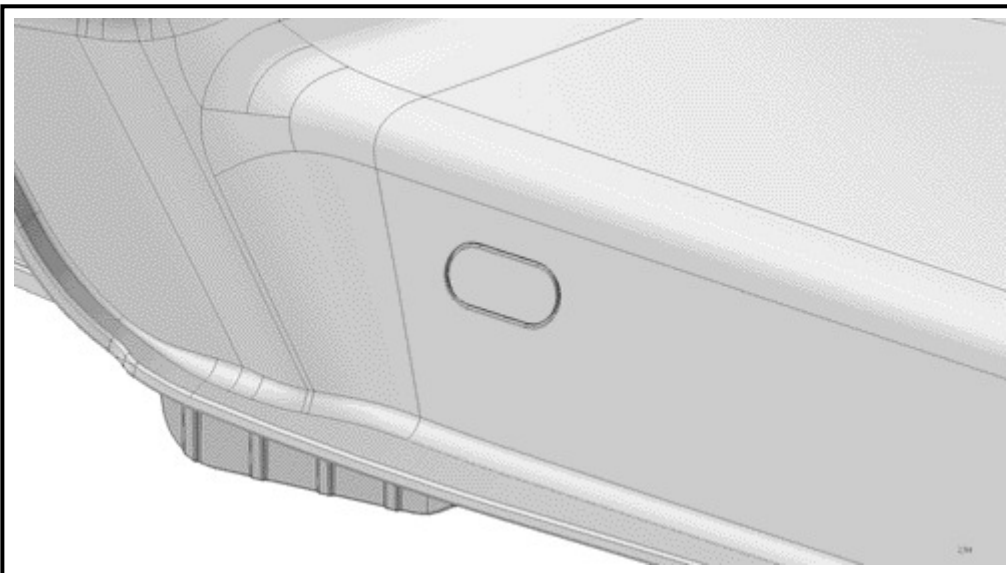
REV gen4 (narrow) without electric starter.

Battery cover (P/N 860201720) is needed.

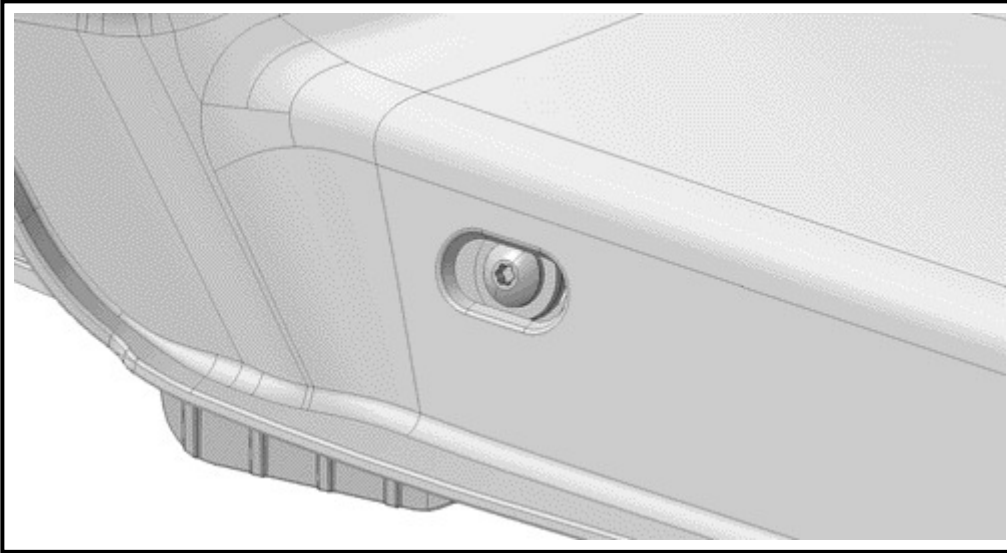
REV gen4 (narrow) Summit

2 summit seat posts (P/N 510006693) are required. Follow the seat post installation instructions if not already equipped on the vehicle.

1. Cut the two console oblong shape area.

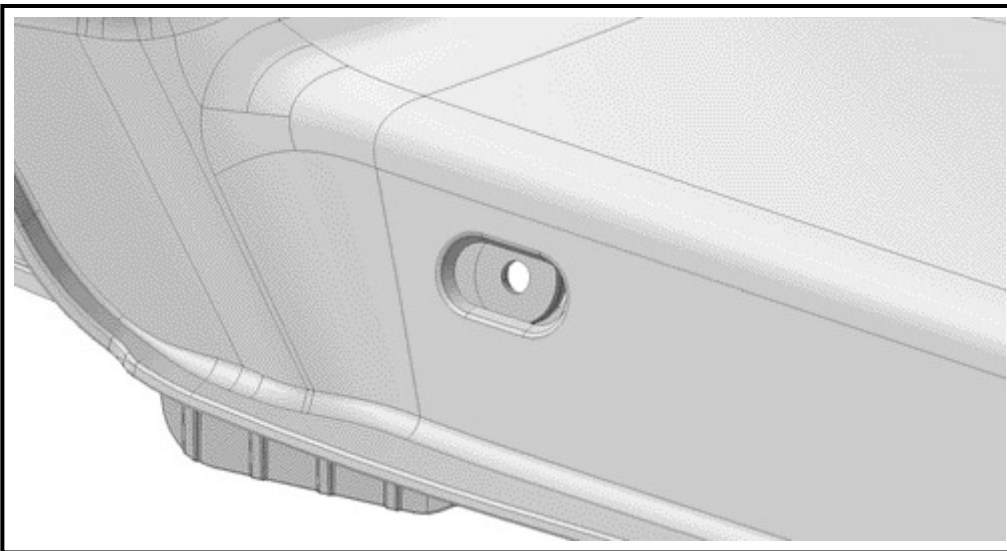


2. Remove and discard M8 screws.

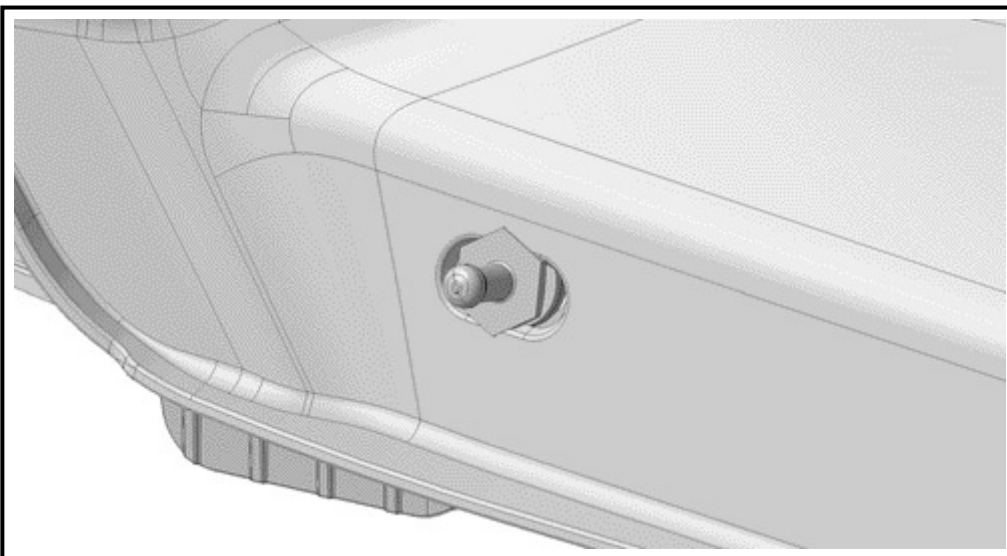


3. Let the washers in place

NOTE: There can be one or two washer.



4. Install summit seat pin.

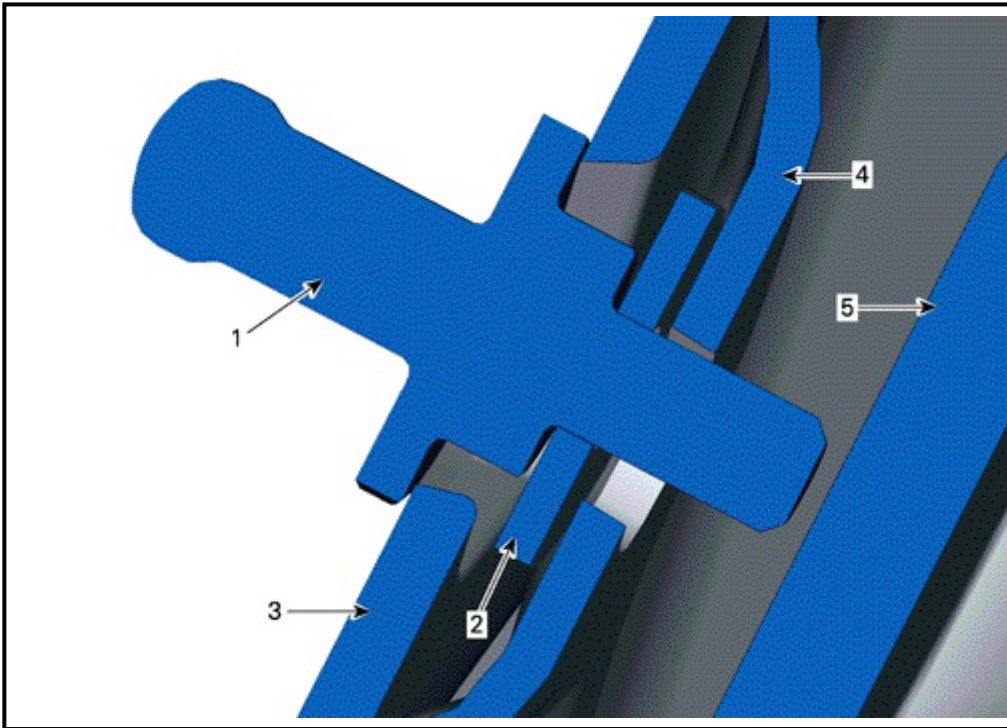


Tightening torque

Summit Seat Pin

$4 \pm 0.5 \text{ N}\cdot\text{m}$ ($35 \pm 4 \text{ lbf}\cdot\text{in}$)

NOTE: Make sure to install the summit seat pin as depicted below.

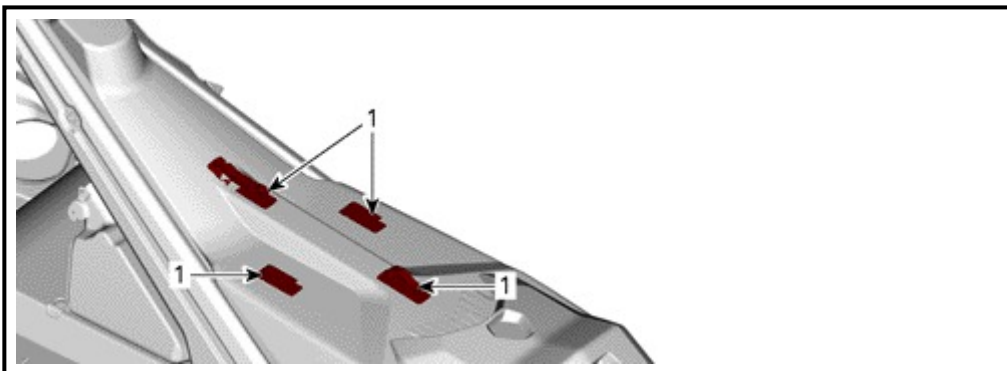


1. Summit seat pin
2. Stock washer (one or two)
3. Plastic cover
4. Frame metal sheet
5. Fuel tank

Install the heated seat

NOTICE Riding the vehicle with any objects between the seat and the fuel tank could damage the fuel tank. **NEVER** place any objects between seat and fuel tank.

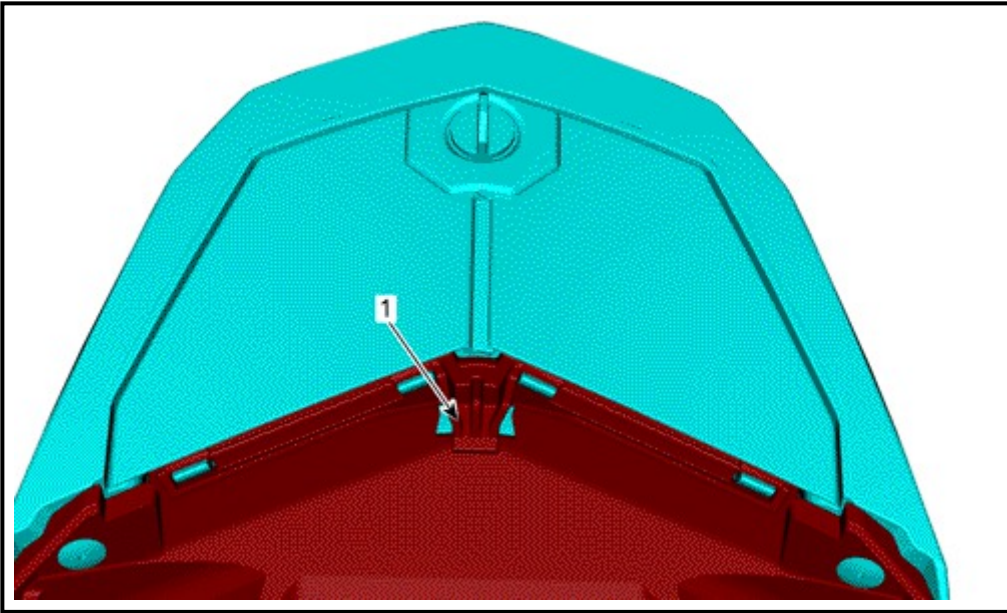
1. Position the seat over the hooks on the fuel tank.



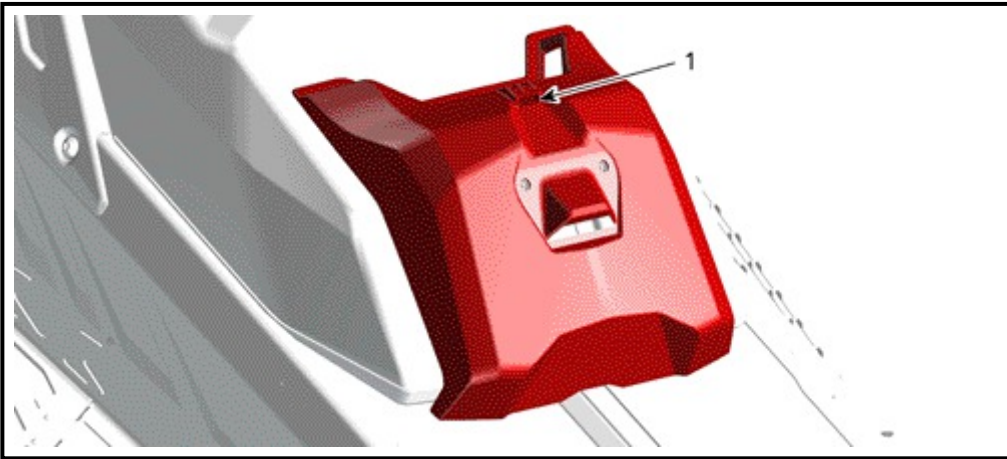
1. Hook

2. Slide the seat toward the front of the vehicle.

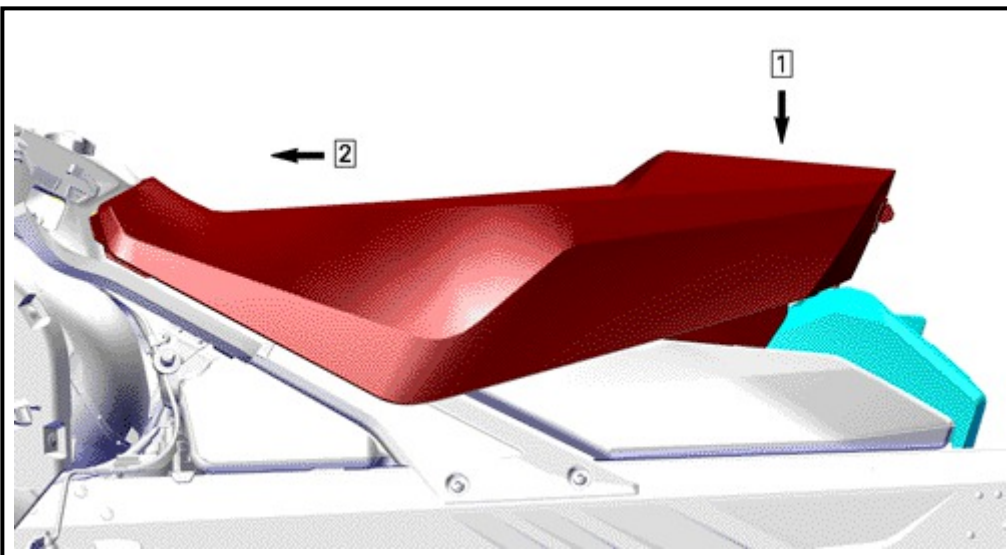
NOTE: The seat model has a rear hook, position the rear hook in the anchor before sliding the seat.



1. Rear hook

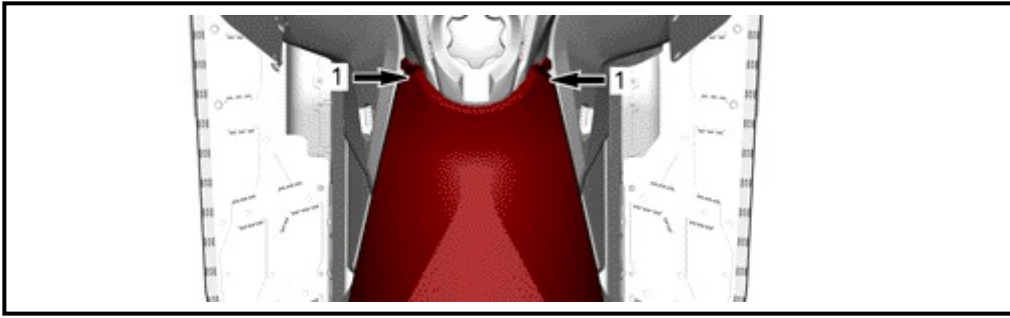


1. Anchor



1. Position the back of the seat.
2. Slide

3. Position the ear and push the seat latches to lock.



1. Push

[Template.pdf](#)